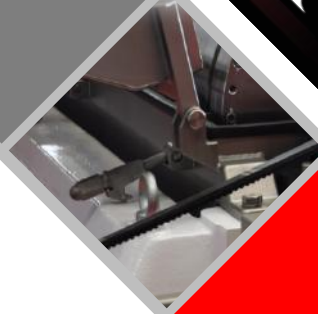


G Tech



GTech supplies a competitive range of high quality planetary gearboxes for decanter centrifuges.

Features and benefits:

- **Direct replacement for OEM Gearboxes**
- **Custom designed and manufactured flanges and drive shafts to suit existing equipment available**
- **Designed for up to 4000 rpm**
- **Precision manufactured components ensure long life**

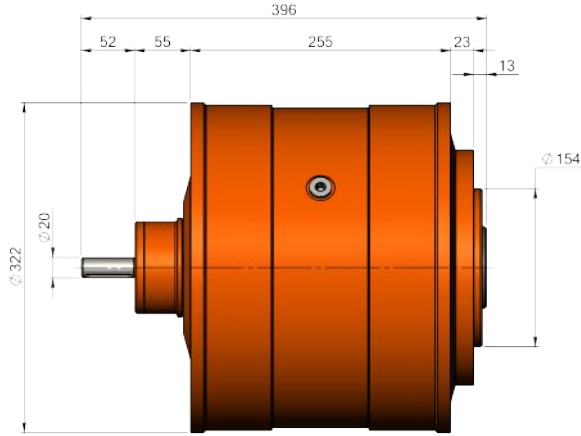


Decanter Centrifuge Planetary Gearboxes

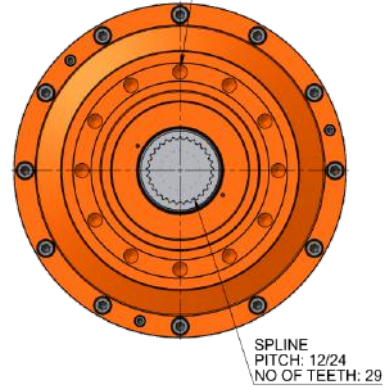
Specifications

6.0kNm Gearbox Ratio 144:1

For fixed torque arm or direct drive

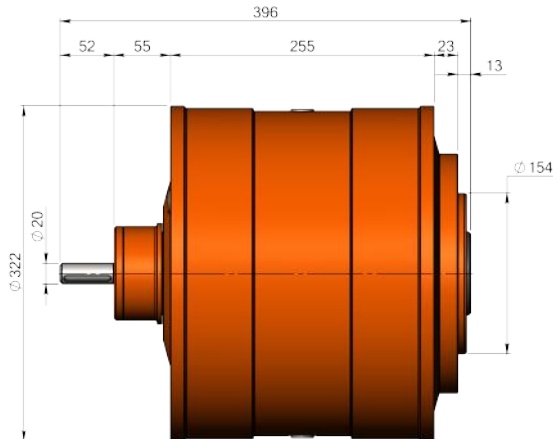


12 x M16x2.0 - 6H ∇ 25
ON PCD 190

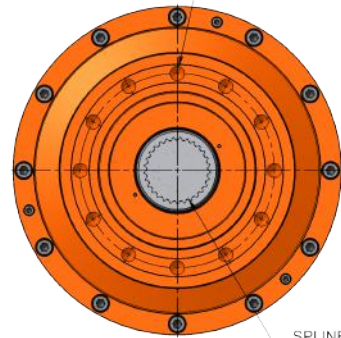


7.1kNm Gearbox Ratio 55:1

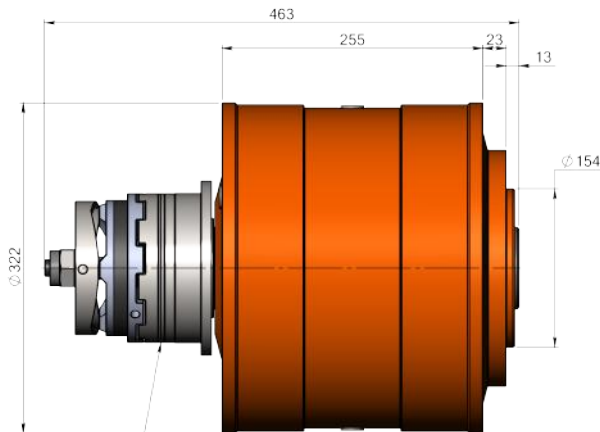
For fixed torque arm or direct drive



12 x M16x2.0 - 6H ∇ 25
ON PCD 190

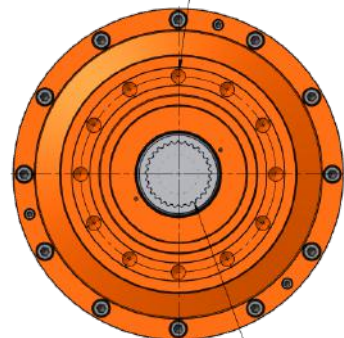


With overload device



BOLT ON BACK DRIVE
SHEAVE OR TORQUE
ARMS ARE AVAILABLE

12 x M16x2.0 - 6H ∇ 25
ON PCD 190

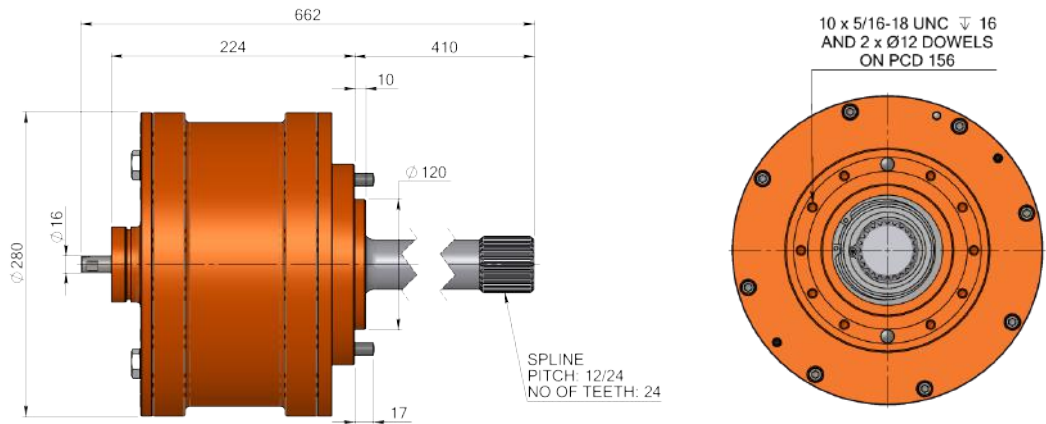


SPLINE
PITCH: 12/24
NO OF TEETH: 29

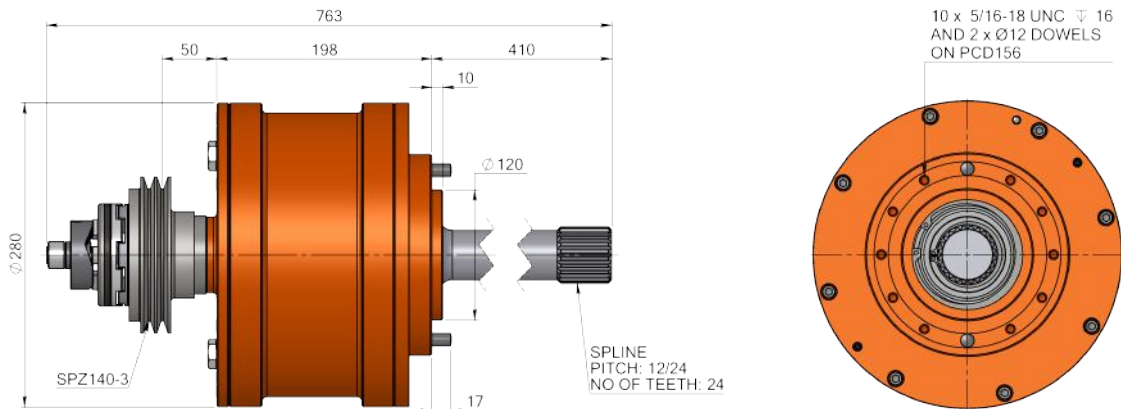
Specifications

2.5kNm Gearbox Ratio 158:1

For fixed torque arm or direct drive

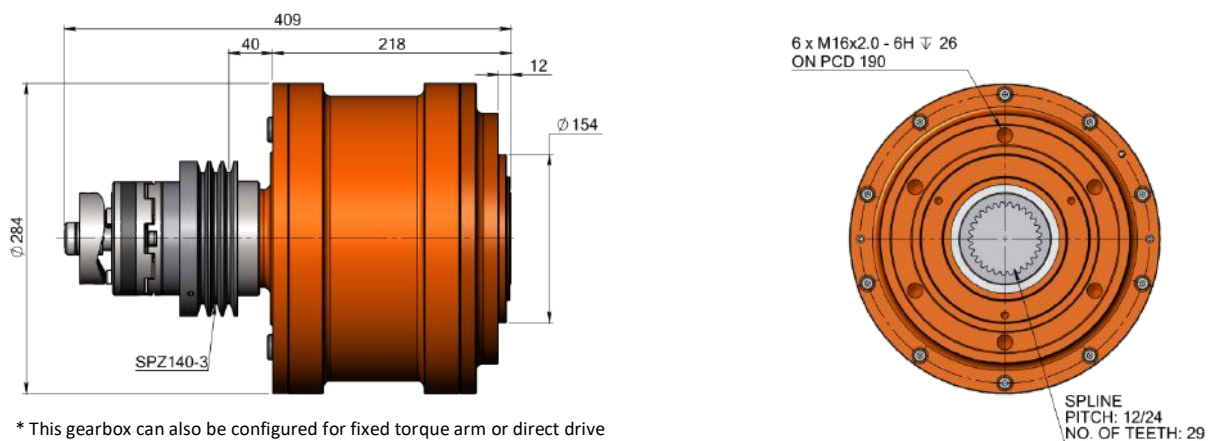


With overload device



3.5kNm Gearbox Ratio 57:1

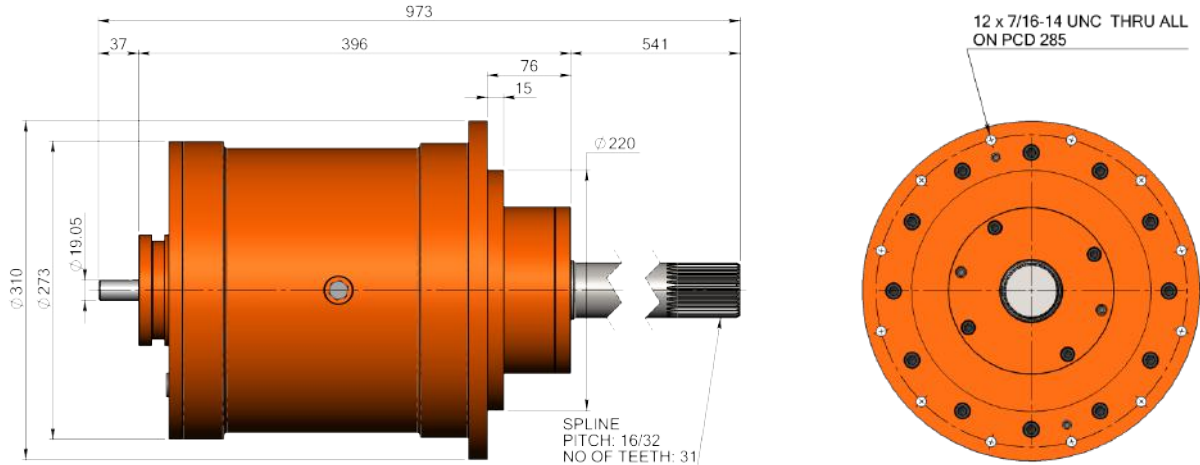
With overload device*



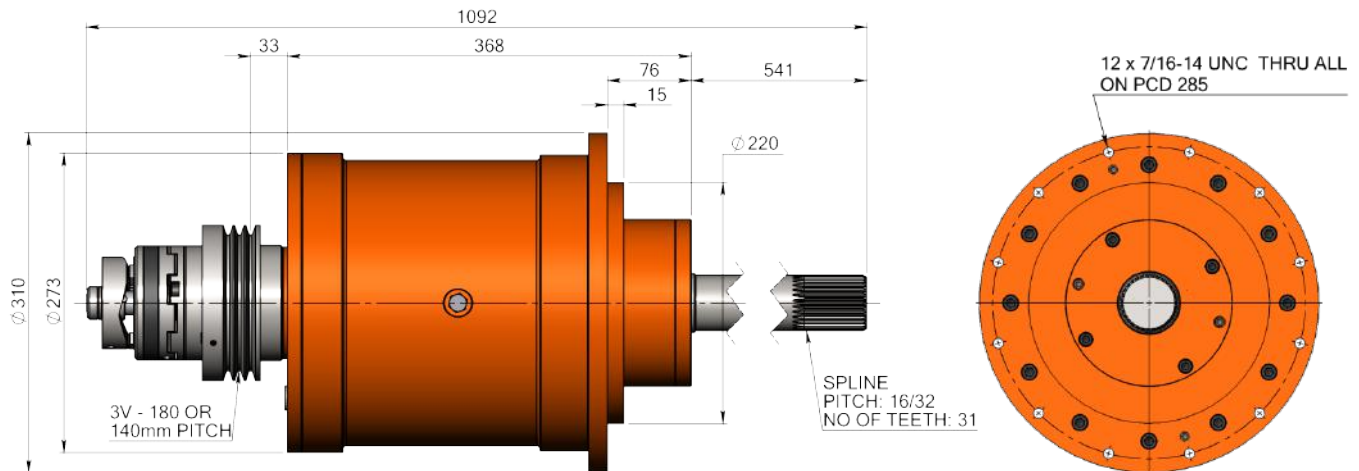
* This gearbox can also be configured for fixed torque arm or direct drive

Specifications

4.1kNm Gearbox Ratio 53:1
For fixed torque arm or direct drive



With overload device



Contact Us

USA

27341 Spectrum Way
Oak Ridge North
Texas 77385
Tel: +1281 290 9229
Email: sales@gtechus.com
Website: www.gtech.global
ISO9001 registered

New Zealand

P.O. Box 29 · Kaiapoi 7644
21 Empire Rd. · Kainga
Christchurch 8083 New Zealand
Tel: +64 3 323 6151
Email: sales@gtechnz.com
Website: www.gtech.global
ISO9001 registered

Australia

14A Nicholas Drive,
Dandenong 3175
Victoria, Australia
Tel: +61 3 9768 3866
Email: sales@gtechau.com
Website: www.gtech.global

